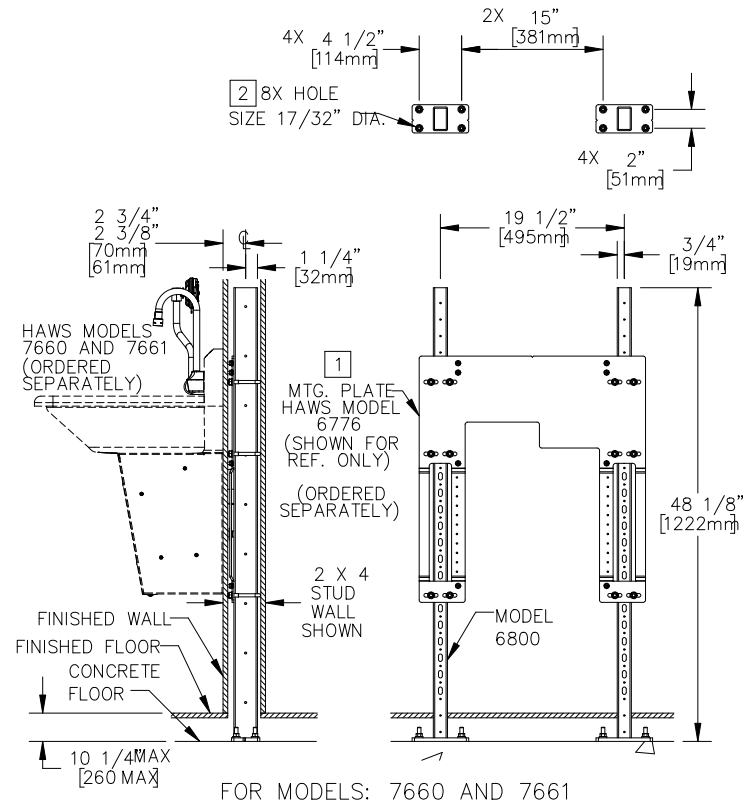
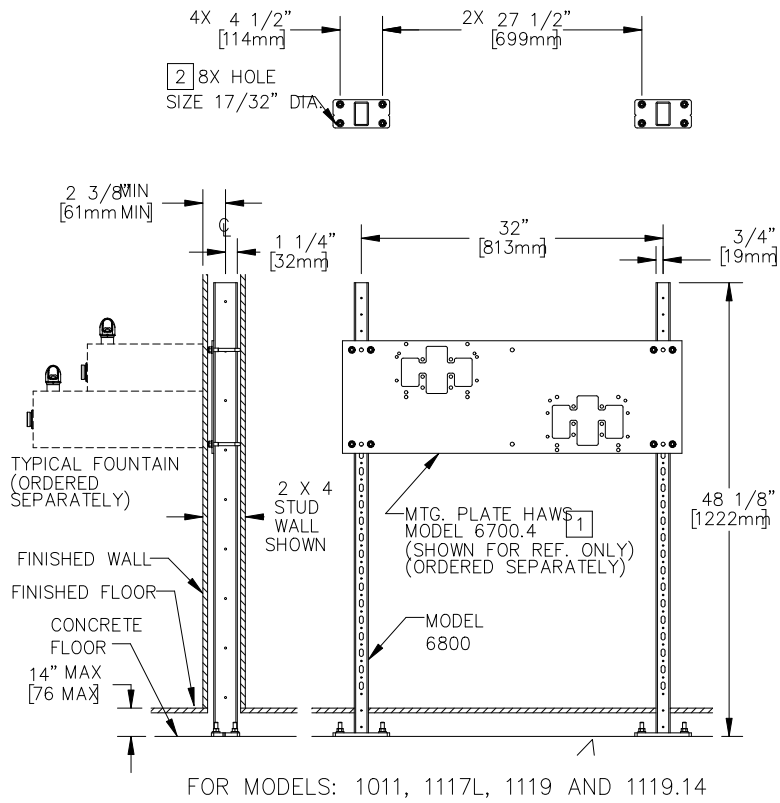


THIS DOCUMENT IS TRUE AND CORRECT AT TIME OF PUBLICATION. CONTINUED PRODUCT IMPROVEMENTS MAKE SPECIFICATIONS AND MEASUREMENTS SUBJECT TO CHANGE WITHOUT NOTICE.

PAGE 2 OF 3



PAGE 2 OF 3

		1455 KLEPPE LANE SPARKS, NEVADA 89431 (775) 359-4712 FAX (775) 359-7424 E-MAIL: HAWS@HAWSCO.COM WEBSITE: WWW.HAWSCO.COM	
		MODEL(S) 6800, 6810, & 6810W UNIVERSAL IN WALL CARRIER SUPPORT	PART NUMBER 0002080019 REVISION 14
ECN: 5877 DRAWN: JU APPROVED: DHP	REV. EGN: 5877 DATE: 01/09/23 DATE: 02/06/23	BY: JU CHK'D: JU	SCALE: 1:16 DRAWING TYPE: INSTALLATION SHEET 2 OF 3